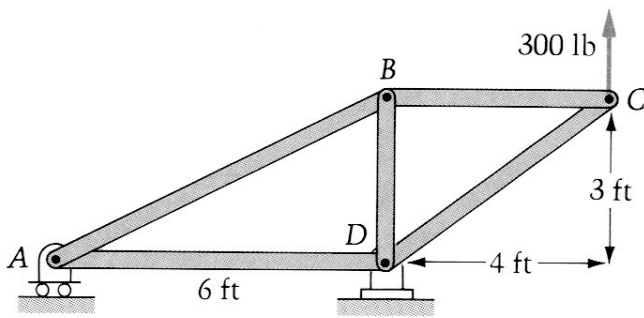
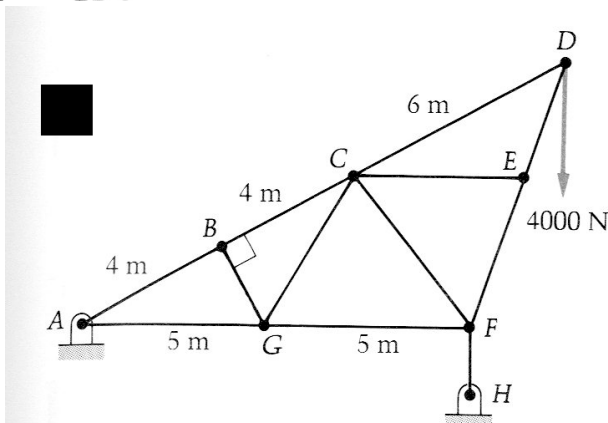


# PHY 211 Statics

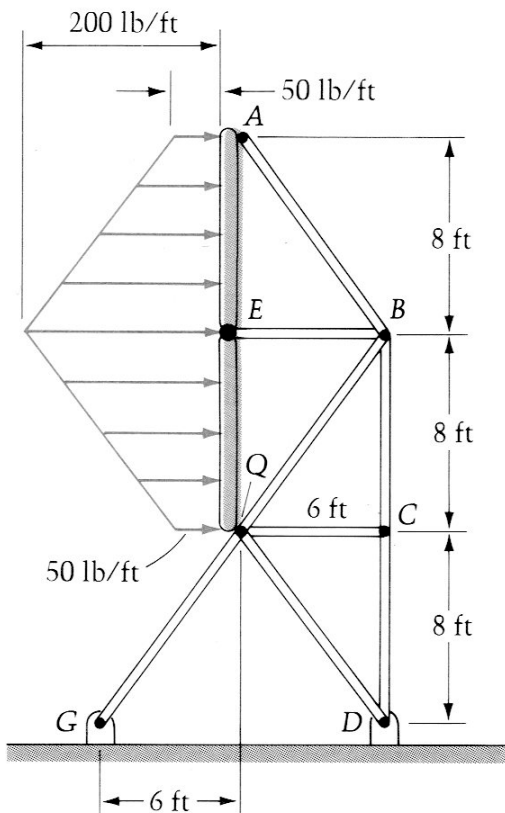
# HW 7



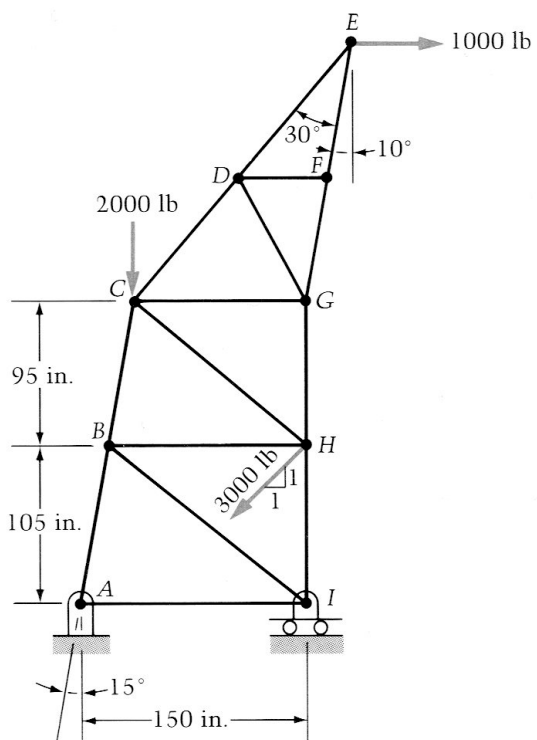
1. Find the force in member  $AD$ .



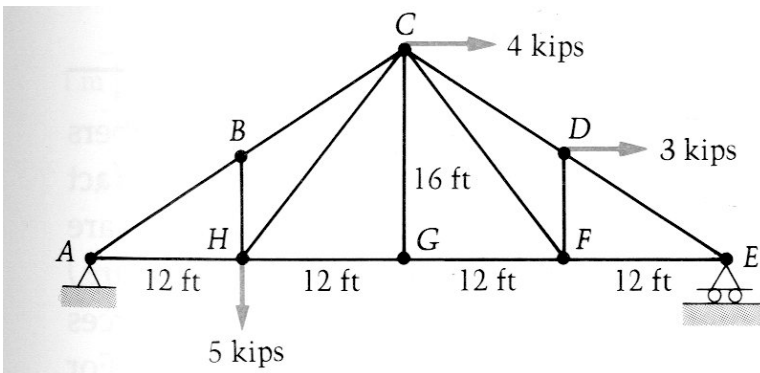
2. Find the force in member  $GF$ .



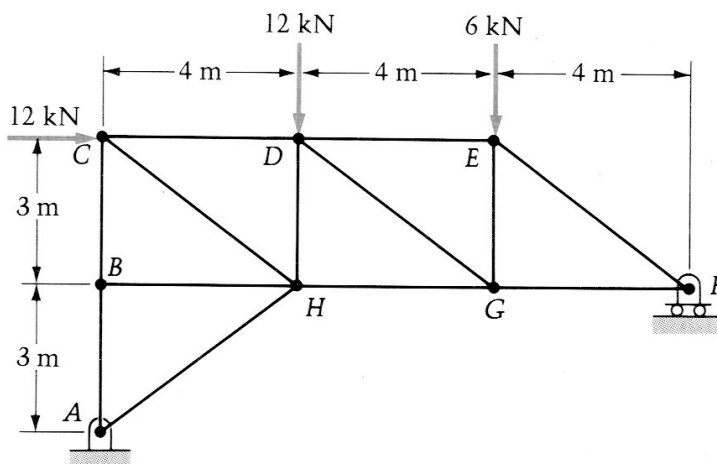
3. The structure to the left represents an edge view of a billboard. The distributed force shown models the wind force. Find the force in member  $BC$ .



4. Find the force in members  $BC$  and  $AI$ .



5. Find the force in member  $CD$ . Recall that "kips" means kilopounds.



6. Find the force in member  $CD$ .