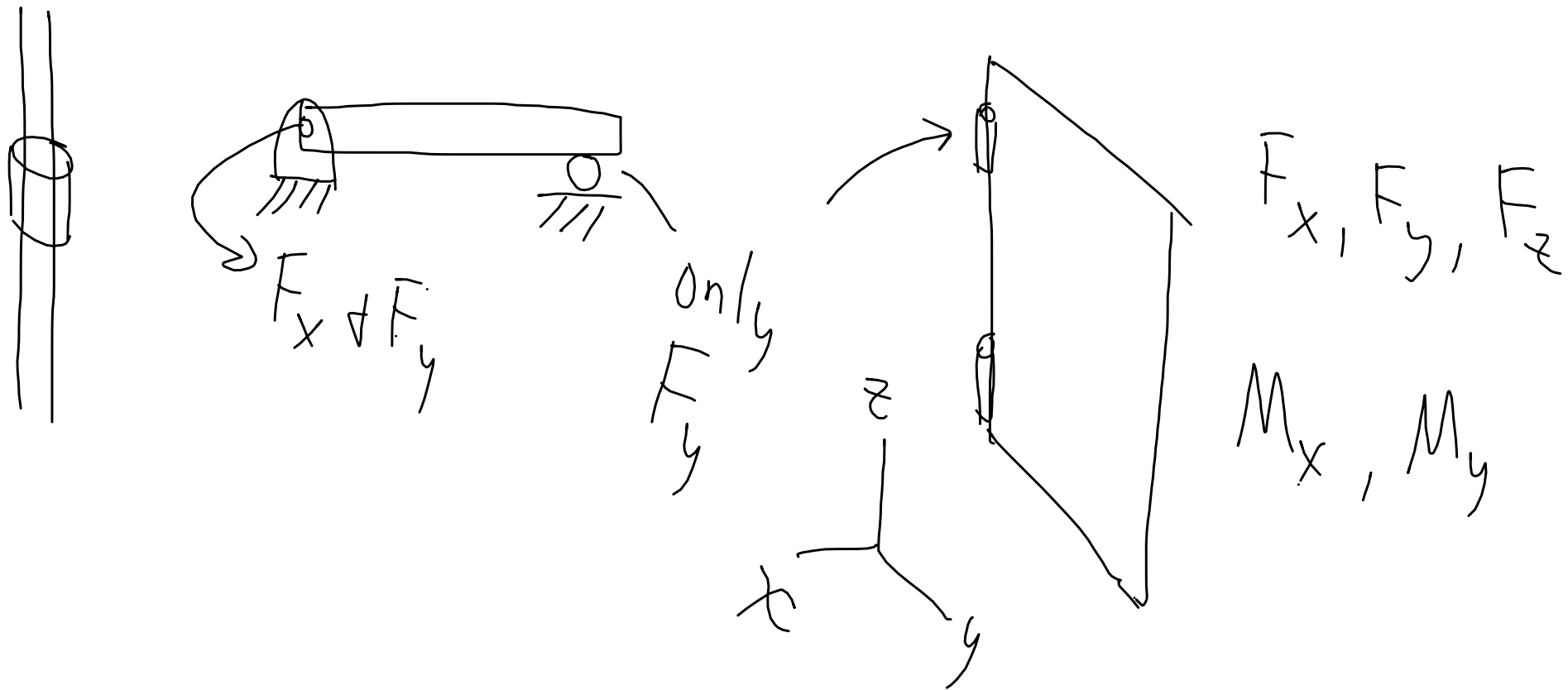


Ch 5 Equil of Solid Body

1. FBD's are King

2. Types of forces @ connections



$$3. \sum \vec{F} = 0 + \sum \vec{M}_P = 0$$

any point

$$W = 12000 \text{ lbs}$$

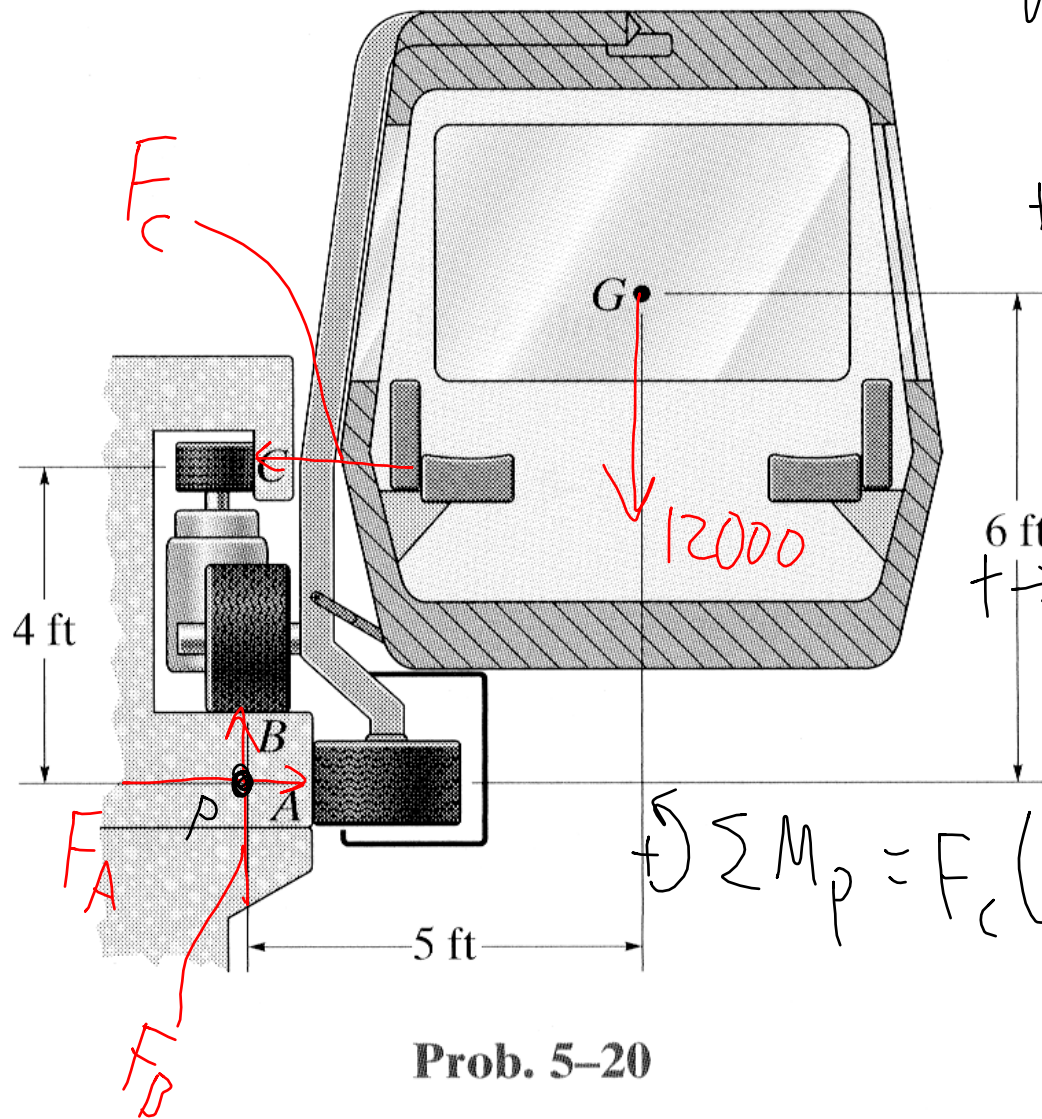
$$+\uparrow \sum F_y = F_B - 12000 = 0$$

$$F_B = 12000 \text{ lbs}$$

$$+\rightarrow \sum F_x = F_A - F_C = 0$$

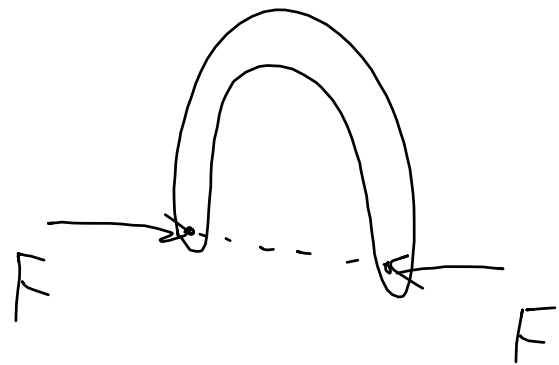
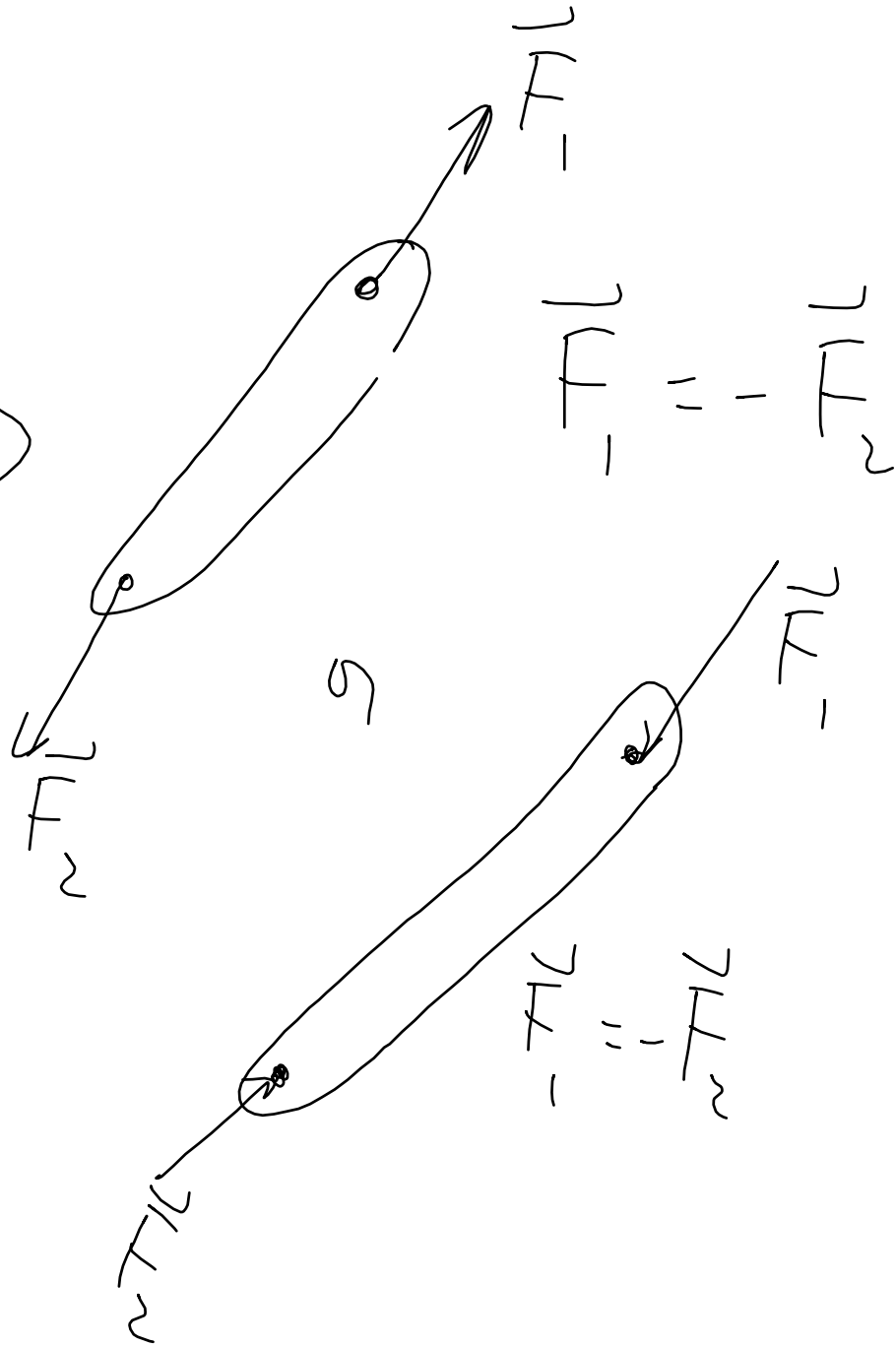
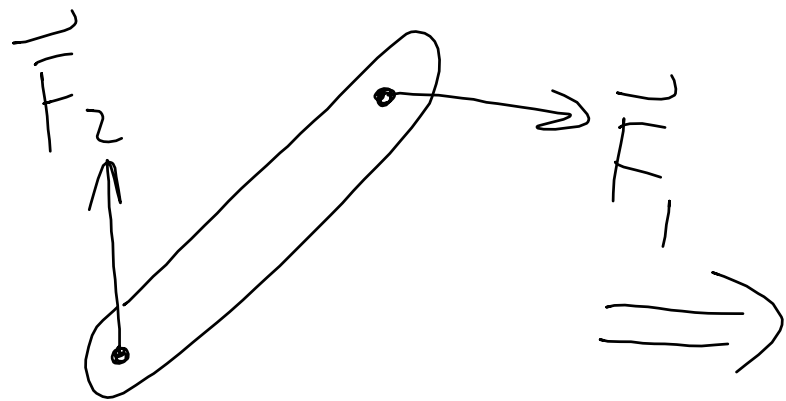
$$F_A = F_C$$

$$+\curvearrowright \sum M_P = F_C(4) - 12000(5) = 0 \quad F_C = 15000 \text{ lbs}$$



Prob. 5-20

Special case:



Two-force members